

LV42A-40

Material

PVC - Polyvinyl Chloride



How it works Movement of the magnetic float opens/closes a hermetically sealed contact ([reed switch](#)).

- Details**
- Compact and low cost;
 - On/Off SPST output;
 - Work as normally open or normally closed, by inverting float position.

- Advantages**
- **100% PVC** (sensor + fittings and tubes) in your installation;
 - Wide chemical compatibility;
 - Determine the points of acting in your level control.

- Typical applications**
- Tank liquid level control;
 - Pipes, tanks, intermediate bulk containers (IBC) and artesian wells.



Chemical products require preliminary tests to confirm compatibility.

Liquid with ferrous particles should be avoided.

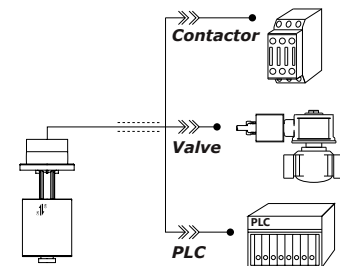
Technical specifications

Maximum operating pressure	2bar
Operating temperature range	5°C to 50°C
Liquid minimum density (SG)	0.60
Output connection	Wire 2 x 0.5mm² x 40cm
Enclosure rating	IP66
Electrical contact	Reed Switch 20W/VA

The sensors work in all voltage and current ranges displayed in the table below:

Operating Voltage	Max. Switching Power	Max. Switching Current	Peak Current
110Vac	20VA	0.2A	0.5A @20ms
220Vac	20VA	0.1A	0.5A @20ms
5Vdc	2.5W	0.5A	1A @20ms
12Vdc	5W	0.5A	1A @20ms
24Vdc	10W	0.5A	1A @20ms

24Vac: NOT recommended

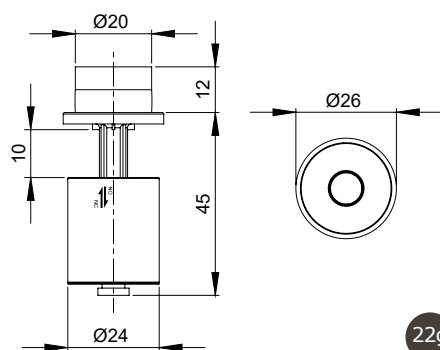


Important!

- For cables longer than 20 meters.
- Relay coupler, timing relay, frequency inverter.

A series **resistor** must be installed.
[Click and check how to install.](#)

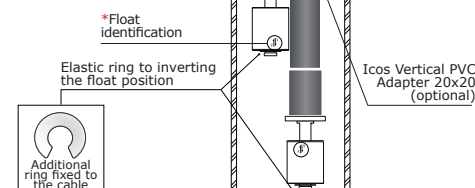
Dimensions (mm) and Weight



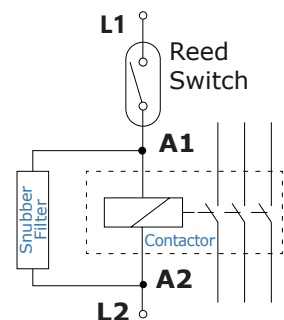
22g

Mounting

Top mounting*
Up: **NO**
Down: **NC**



Typical connection to contactor



level sensor | level switch | float level | float switch | magnetic level switch | liquid level controller

 [Click and Check:](#)

[Models and Prices](#) | [Datasheets](#) | [Operation Videos](#)

Flow Switches and Level Switches for liquids

Make it easy