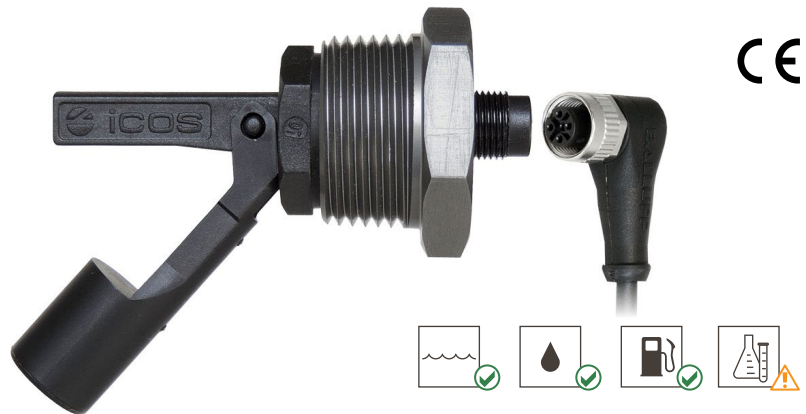


## LA31N-M12

**Material**

PPA - Polyphthalamide



**How it works** Movement of the magnetic float opens/closes a hermetically sealed contact ([reed switch](#)).

**Details**

- Compact and low cost;
- On/Off SPST output;
- Operation can be normally open or normally closed, by rotating the switch 180°.

**Typical applications**

- Tank liquid level control;
- Pumps automation.



**Chemical products** require preliminary tests to confirm compatibility.

**Liquid with ferrous particles** should be avoided.

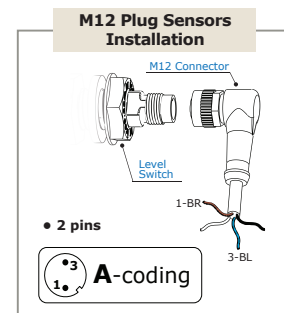
### Technical specifications

Maximum operating pressure	<b>2bar</b>
Operating temperature range	<b>-10°C to 125°C</b>
Liquid minimum density (SG)	<b>0.70</b>
Sealing	<b>Sealant tape</b>
Output connection	<b>M12 male plug (2 pins)</b>
	<b>M12 female connector NOT included</b>
Enclosure rating	<b>IP66</b>
Electrical contact	<b>Reed Switch 20W/VA</b>
Mounting	<b>External side - 1"NPT Aluminum Connector</b>

*The sensors work in all voltage and current ranges displayed in the table below:*

Operating Voltage	Max. Switching Power	Max. Switching Current	Peak Current
110Vac	20VA	0.2A	0.5A @20ms
220Vac	20VA	0.1A	0.5A @20ms
5Vdc	2.5W	0.5A	1A @20ms
12Vdc	5W	0.5A	1A @20ms
24Vdc	10W	0.5A	1A @20ms

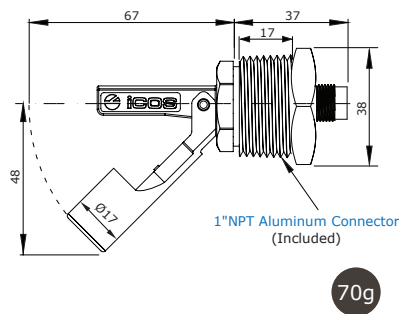
**24Vac:** NOT recommended


**Important!**

- For cables longer than 20 meters.
- Relay coupler, timing relay, frequency inverter.

A series **resistor** must be installed.  
[Click and check how to install.](#)

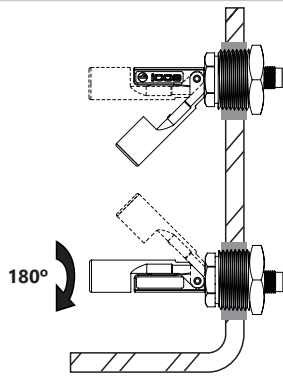
### Dimensions (mm) and Weight



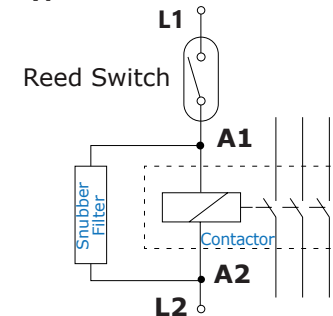
### Mounting

**NO**  
Working as  
Normally Open

**NC**  
Working as  
Normally Closed



### Typical connection to contactor



level sensor | level switch | float level | float switch | magnetic level switch | liquid level controller

 [Click and Check:](#)

[Models and Prices](#) | [Datasheets](#) | [Operation Videos](#)

Flow Switches and Level Switches for liquids

Make it easy