

## FH12B02

### Material

PPA - Polyphthalamide



**How it works** A fluid flow through the sensor causes precise displacement of magnetic piston and closes an electrical contact (reed switch).

### Details

- On/Off output; NO (SPST) working;
- Detects increased or decreased flow;
- Sensitivity adjustment<sup>1</sup>.



### Typical applications

- Lubrication and cooling systems monitoring;
- Pipe fluid flow monitoring.

### Liquids

- Clean water, oils, lubricants and filtered fuels<sup>2</sup>.



**Liquids with magnetic particles** will cause deposition / magnetic sedimentation and it will prejudice the operation of the sensor. Use magnetic filter before the sensor.

**Liquids with encrustation particles and/or solids** require tests.

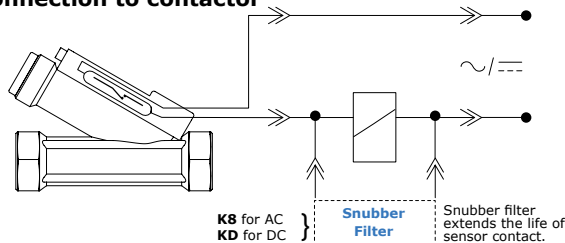
## Technical specifications

Internal clearance	<b>114mm<sup>2</sup></b>
Maximum operating pressure	<b>10bar</b>
Operating temperature range	<b>0°C to 100°C   140°C @1h</b>
Inlet/outlet port	<b>G 1/2" female - 416 stainless steel</b>
Spring	<b>AISI 302 stainless steel</b>
O'Ring	<b>NBR (nitrilic rubber)</b>
Output connection	<b>DIN 43650 Connector - B</b>
Enclosure rating	<b>IP66</b>
Electrical contact	<b>Reed Switch with Internal Resistor 10R</b>

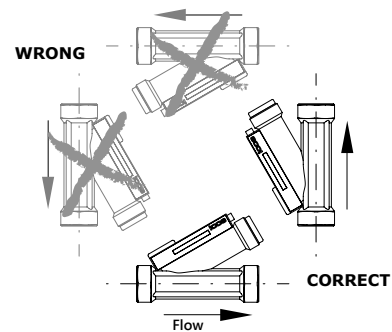
Operating Voltage	Max. Switching Power	Max. Switching Current	Peak Current
110Vac	20VA	0.2A	0.5A @20ms
220Vac	20VA	0.1A	0.5A @20ms
5Vdc	2.5W	0.5A	1A @20ms
12Vdc	5W	0.5A	1A @20ms
24Vdc*	10W	0.5A	1A @20ms

\* If use contactor, RC Snubber Filter KD is required.

### • Typical connection to contactor

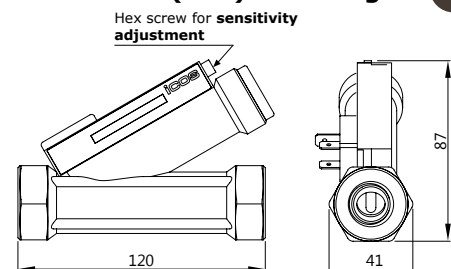


### Mounting (Important!)



### Dimensions (mm) and Weight

280g



## Notes

- <sup>1</sup> In water. Set point accuracy:  $\pm 15\%$ .  
Repeatability (not considered the viscosity change of liquids):  $\pm 10\%$ .
- <sup>2</sup> For application in oil, recommended model **FH12B04** or **FH12B06**.

flow sensor | flow switch | flow control | fluid flow controller | fluid flow indicator | flow detector

**Click and Check:**

**Models and Prices | Datasheets | Operation Videos**

Flow and Level Switches for liquids