

1" NPT / BSP Connector



Details • Used in external vertical mounting in 1" NPT or BSP thread.

Typical applications • Mounting inside the tank with [Vertical Level Switches¹ ICOS](#).

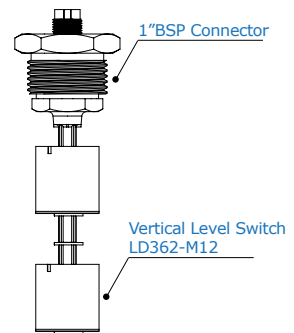
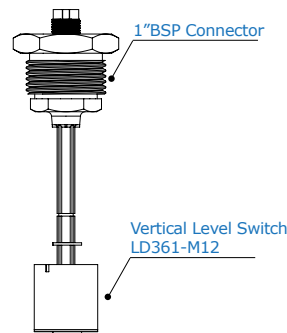
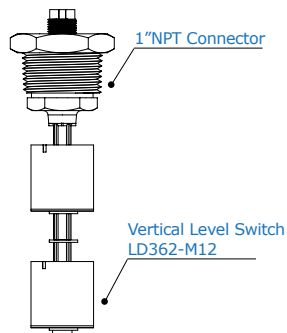
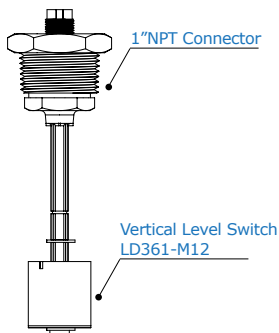
1" NPT Connector

Material **Anodized aluminum**
Thread **1" NPT (conical)**
Sealing **Sealant tape**
Enclosure rating **IP66**
Weight **43g**

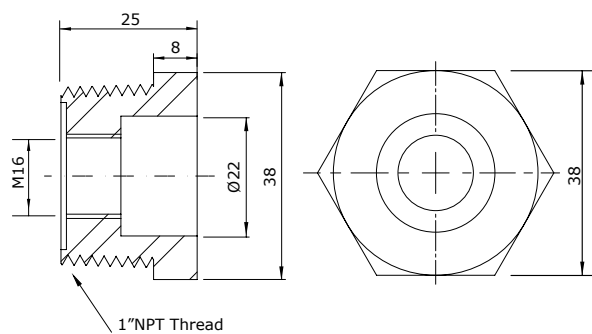
1" BSP Connector

Material **Brass**
Thread **1" BSP (parallel)**
Sealing **O'Ring (NBR) - Included**
Enclosure rating **IP66**
Weight **132g**

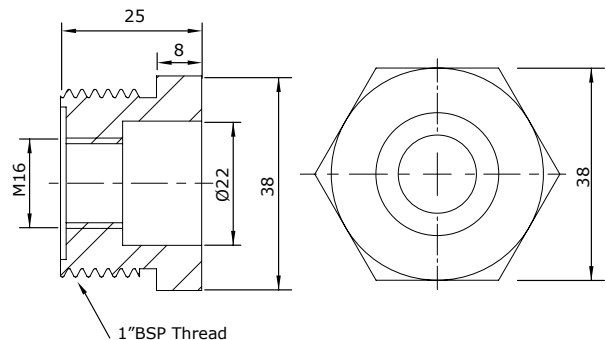
Mounting



Dimensions (mm)



Dimensions (mm)



Notes

¹ 1" NPT / BSP Connectors are applicable to:
[Vertical Level Switches ICOS](#)

1" BSP connector | 1" NPT connector | level switch connection | parallel thread | taper thread

👉 On accessories.icos.com.br check prices of 1" NPT / BSP Connectors

Flow and Level Switches for liquids